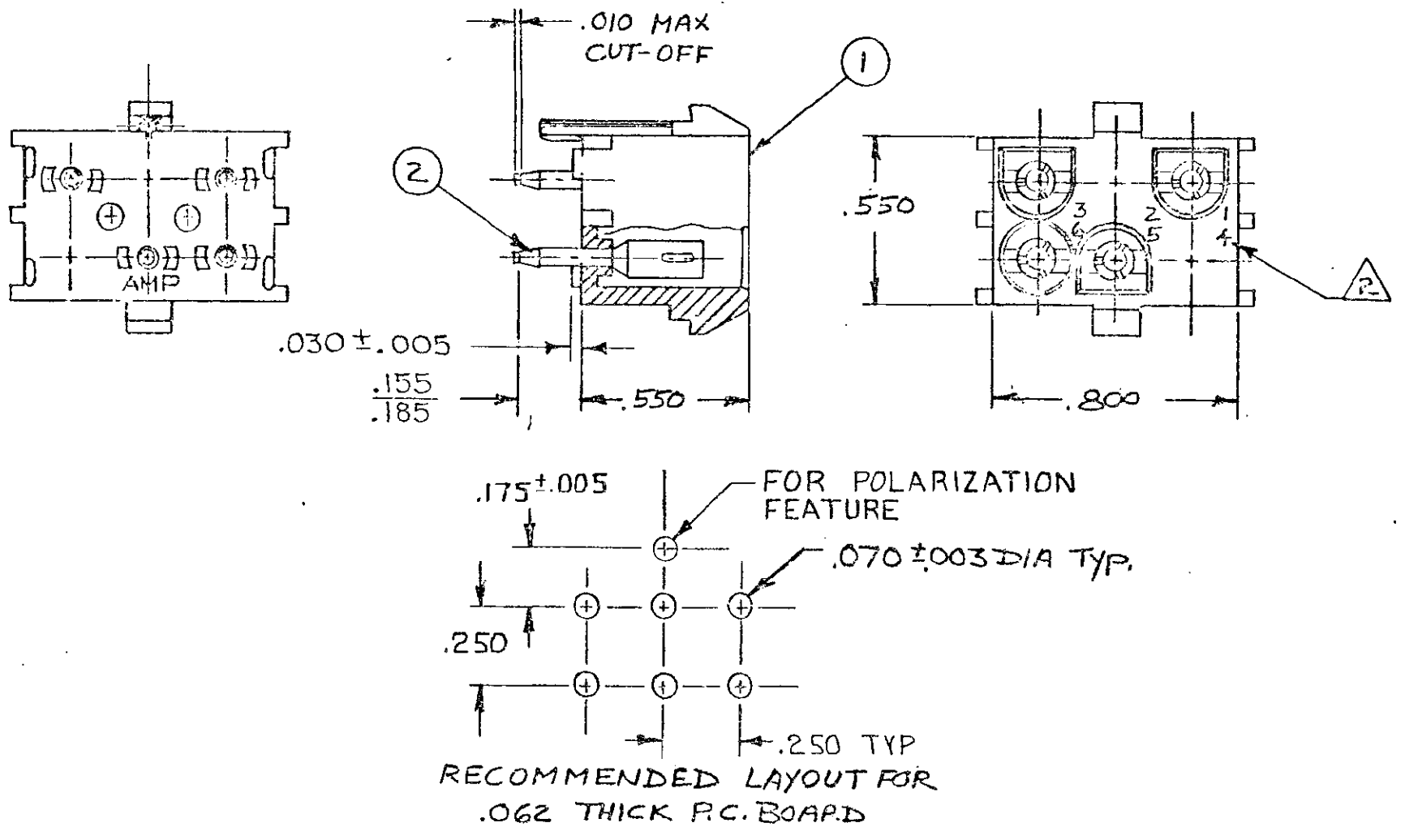


THIS DRAWING IS UNPUBLISHED. RELEASED FOR PUBLICATION 19

© COPYRIGHT 19 BY AMP INCORPORATED, HARRISBURG, PA. ALL INTERNATIONAL RIGHTS RESERVED. AMP PRODUCTS MAY BE COVERED BY U.S. AND FOREIGN PATENTS AND/OR PATENTS PENDING.

REVISIONS					
P/F	ZONE	LTR	DESCRIPTION	DATE	APPROVED
✓		0	RELEASED NEW DRAWING, TT133-17	3/2/83	ASG/DH
✓		A	REVISED PER ECN M-7383	9-9-83	SDW/KS
✓		B	REVISED PER ECN AG 214	1-27-84	MC/KS
✓		B1	RESTORATION	6-24-85	WJ/NJ
✓		C	REVISE PER CM-1511	2-10-88	PKC/RS
✓		D	REV PER ECN 0730-3928-92	1-7-93	MSG/RS
✓		E	REV PER EC 0730-0111-95	8-29-95	JH/RS



1. PARTS COMPLY WITH AMP SOLDERABILITY SPEC. 109-11-3.

2. CIRCUIT IDENTIFICATION CHARACTERS ARE ADJACENT TO THE INDICATED CAVITIES, BUT LOCATION AND ORIENTATION MAY DIFFER FROM PRINT.

No. PER ASS'Y	DESCRIPTION	MATERIAL & FINISH	ITEM No.	PART NO
6	SOCKET	PH BRZ, PRE-TIN	2	643423-1
1	HOUSING	NYLON, 94V-2, NATURAL	1	

UNLESS OTHERWISE SPECIFIED DIMENSIONS ARE IN INCHES. TOLERANCES ON: DECIMALS ± .015 ANGLES ±	CONTRACT NO		AMP INCORPORATED Harrisburg, Pa.	
	DR	3-2-83		
	CHK	D.A. SALTZER	NAME	
	APPD	S. Heide 4/7/83	HEADER ASSEMBLY, SOCKET, POLARIZED, UNIVERSAL MATE-N-LOK™ G CIRCUIT	
MATERIAL	APPD	SIZE	FSCM NO	DRAWING NO
SEE TABLE	APPD	13	00779	643423
FINISH	DSGN APPD	SCALE	SHEET	
SEE TABLE	OTHER APPD	2:1		